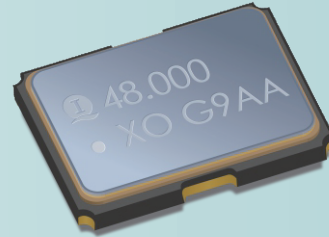


SPXO 2520 (165-B SERIES)

FEATURES

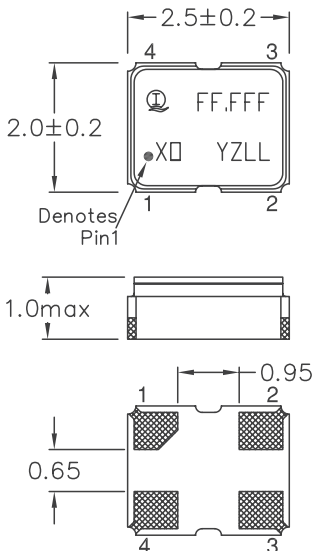
- Miniature size
- Low phase noise version available
- Suitable for wearable and handheld devices
- RoHS Compliant and Pb Free



Electrical Specifications				
Parameters		Specifications		
Output Waveform 输出波型		CMOS		
Frequency Range 频率范围		32.768KHz	1MHz ~ 80MHz	80MHz ~ 160MHz
Supply Voltage Range (Vdd) 工作电压范围		1.0V ~ 5V		
Overall Frequency Stability 总频率偏差		±25ppm, ±30ppm, ±50ppm or specify		
Operating Temperature Range 工作温度范围		-20°C ~ +70°C, -40°C ~ +85°C, -40°C ~ +125°C		
Current Consumption (Idd) 消耗电流		100uA Max.	10mA Max.	
Rise & Fall Time 上/下沿时间		20ns Max.	8ns Max.	3ns Max.
Output Symmetry 输出对称性		45% ~ 55%		
Output Voltage 输出电压	V _{OH}	90% VDD		
	V _{OL}	10% VDD		
Output Load 输出负载		15pF		
Start-up Time 起动时间		10ms Max.		
Storage Temperature Range 储存温度范围		-55°C ~ +125°C		

** Inclusive of initial frequency tolerance at 25°C, operating temperature range, supply voltage change, load variation and 1st year aging.
包括在常温频率偏差, 工作温度范围的频率偏差, 首年老化率, 工作电压及负载变化造成的频率偏差。
Please consult our sales representatives for other specifications. 如对其他规格查询, 请与我司销售人员联系。

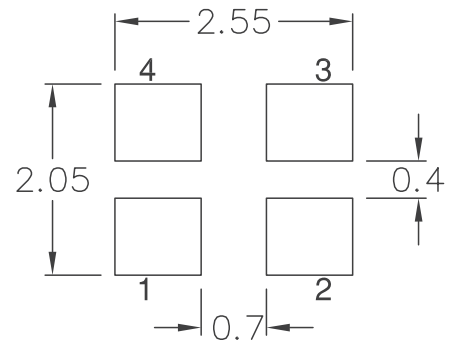
Dimensions



PIN CONNECTION

P/N	1651
1	Enable/Disable
2	GND
3	Output
4	VDD

DIMENSION (mm)



SOLDERING PATTERN (mm)

All specifications are subject to change without prior notice. 本公司保留修改规格的权利。