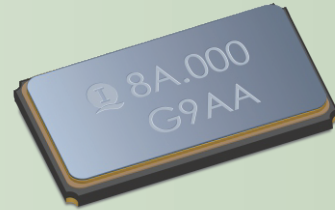


SMCE-6035

FEATURES

- Surface mount ceramic enclosures
- High reliability seam welded package
- Conforms to AEC-Q200 (Optional)
- Wide frequency range
- RoHS Compliant and Pb Free



*NRND

Electrical Specifications

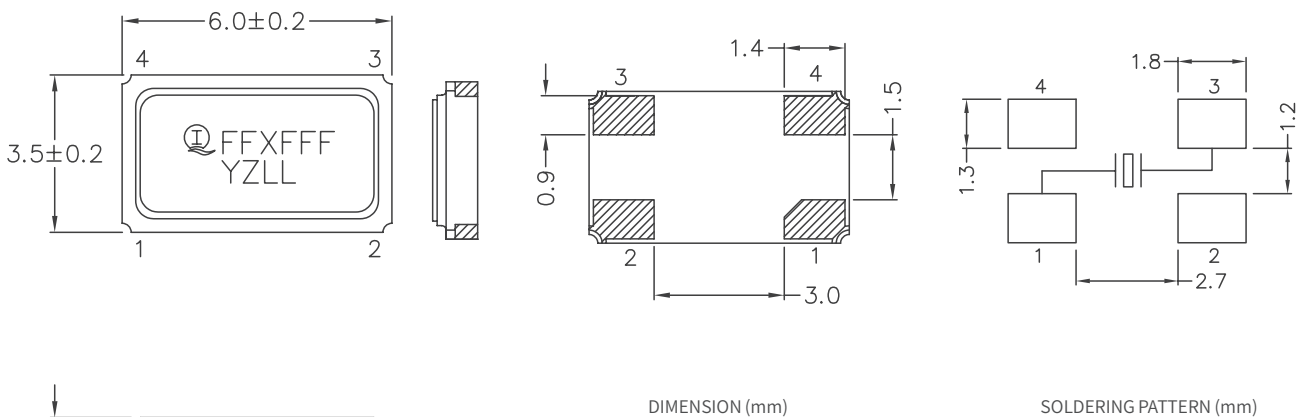
Parameters	Symbol	Specifications
Nominal Frequency Range 标称频率范围	f_0	8.0MHz ~ 50.0MHz (Fundamental) 40.0MHz ~ 80.0MHz (3.O.T)
Frequency Tolerance, Ta=25°C ± 3°C 常温频率偏差	$\Delta f/f$	±10ppm, ±30ppm
Load Capacitance 负载电容	C_L	18pF or specify
Frequency Tolerance over Operating Temperature Range 频率温度特性	$\Delta f/f$	±10ppm, ±20ppm, ±50ppm or specify
Operating Temperature Range 工作温度	T_{OPR}	-20°C ~ +70°C, -40°C ~ +85°C, -40°C ~ +125°C or specify
Storage Temperature Range 储存温度	T_{STG}	-55°C ~ +125°C
Drive Level 激励功率	DL	100µW Typ.
Shunt Capacitance 静态电容	C_0	7pF Max.
Insulation Resistance 绝缘电阻	IR	500MΩ Min.
Aging 老化率	Δf_A	±3ppm/Year Max.

Equivalent Series Resistance (ESR) 串联谐振阻抗

Frequency Range	$8 < f_0 \leq 12$	$12 < f_0 \leq 16$	$16 < f_0 \leq 25$	$25 < f_0 \leq 30$	$30 < f_0 \leq 50$	$40 < f_0 \leq 80$ (3.O.T)
ESR	80Ω Max.	60Ω Max.	50Ω Max.	35Ω Max.	25Ω Max.	80~100Ω Max.

Please consult our sales representatives for other specifications. 如对其他规格查询, 请与我司销售人员联系。

Dimensions



All specifications are subject to change without prior notice. 本公司保留修改规格的权利。