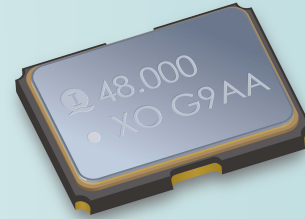


# SPXO 2520 (165-B SERIES)

## FEATURES

- Miniature size
- Low phase noise version available
- Suitable for wearable and handheld devices
- RoHS Compliant and Pb Free

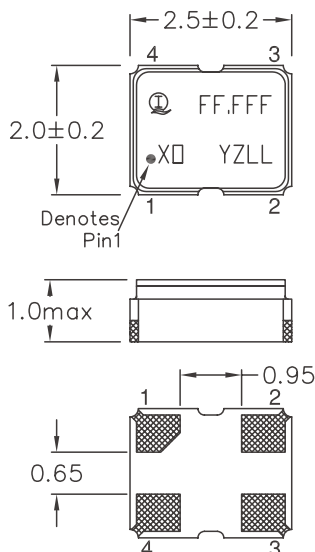


## Electrical Specifications

Parameters		Specifications		
Output Waveform 输出波型		CMOS		
Frequency Range 频率范围		32.768KHz	1MHz~80MHz	80MHz~160MHz
Supply Voltage Range (Vdd) 工作电压范围		1.0V~5V		
Overall Frequency Stability 总频率偏差		±25ppm, ±30ppm, ±50ppm or specify		
Operating Temperature Range 工作温度范围		-20°C~+70°C, -40°C~+85°C, -40°C~+125°C		
Current Consumption (Idd) 消耗电流		100uA Max.	10mA Max.	
Rise & Fall Time 上/下沿时间		20ns Max.	8ns Max.	3ns Max.
Output Symmetry 输出对称性		45%~55%		
Output Voltage 输出电压	V <sub>OH</sub>	90% VDD		
	V <sub>OL</sub>	10% VDD		
Output Load 输出负载		15pF		
Start-up Time 起动时间		10ms Max.		
Storage Temperature Range 储存温度范围		-55°C~+125°C		

\*\* Inclusive of initial frequency tolerance at 25°C, operating temperature range, supply voltage change, load variation and 1st year aging.  
包括在常温频率偏差, 工作温度范围的频率偏差, 首年老化率, 工作电压及负载变化造成的频率偏差。  
Please consult our sales representatives for other specifications. 如对其他规格查询, 请与我司销售人员联系。

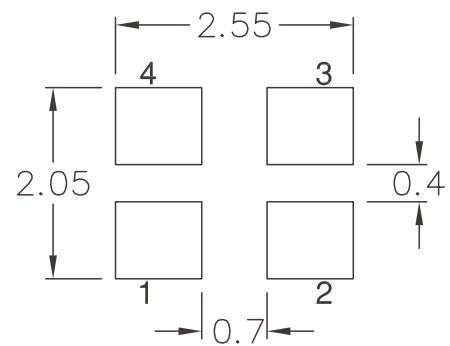
## Dimensions



## PIN CONNECTION

P/N	1651
1	Enable/Disable
2	GND
3	Output
4	VDD

DIMENSION (mm)



SOLDERING PATTERN (mm)

All specifications are subject to change without prior notice. 本公司保留修改规格的权利。