

SMCE-7050

CERAMIC ENCLOSURE QUARTZ CRYSTAL RESONATORS (SMD) 表貼縫焊式陶瓷封裝石英晶體諧振器

High frequency (MHz) crystal resonators



FEATURES

- Surface mount ceramic enclosures
- High reliability seam welded package
- AEC-Q200 Qualified
- Wide frequency range



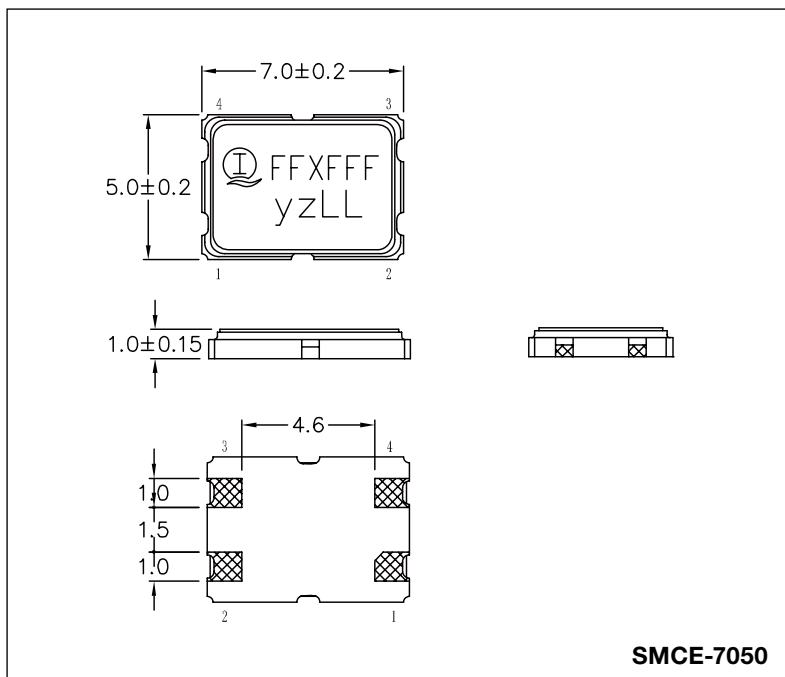
| Parameters | | Specifications |
|--|------------------|---|
| Nominal Frequency Range 標稱頻率範圍 | f_0 | 6.0MHz ~ 30.0MHz (Fundamental) 30.0MHz ~ 125.0MHz (3.O.T) |
| Frequency Tolerance, $T_a=25^\circ\text{C} \pm 3^\circ\text{C}$ 常溫頻率偏差 | $\Delta f/f$ | $\pm 10\text{ppm}$, $\pm 30\text{ppm}$ |
| Load Capacitance 負載電容 | C_L | 18pF or customer specify |
| Frequency Tolerance over Operating Temperature Range with refer to 25°C 相對於常溫的頻率溫度特性 | $\Delta f/f$ | $\pm 10\text{ppm}$, $\pm 30\text{ppm}$ |
| Operating Temperature Range 工作溫度範圍 | T_{OPR} | $-20^\circ\text{C} \sim +70^\circ\text{C}$, $-40^\circ\text{C} \sim +85^\circ\text{C}$ |
| Storage Temperature Range 儲存溫度範圍 | T_{STG} | $-55^\circ\text{C} \sim +125^\circ\text{C}$ |
| Drive Level 激勵功率 | DL | 0.1mW (0.5mW Max.) |
| Shunt Capacitance 靜態電容 | C_0 | 7pF Max. |
| Insulation Resistance 絕緣電阻 | IR | 500M Ω Min. |
| Aging 老化率 | Δf_A | $\pm 3\text{ppm/Year Max.}$ |

SERIES RESISTANCE (ESR) 串聯諧振阻抗

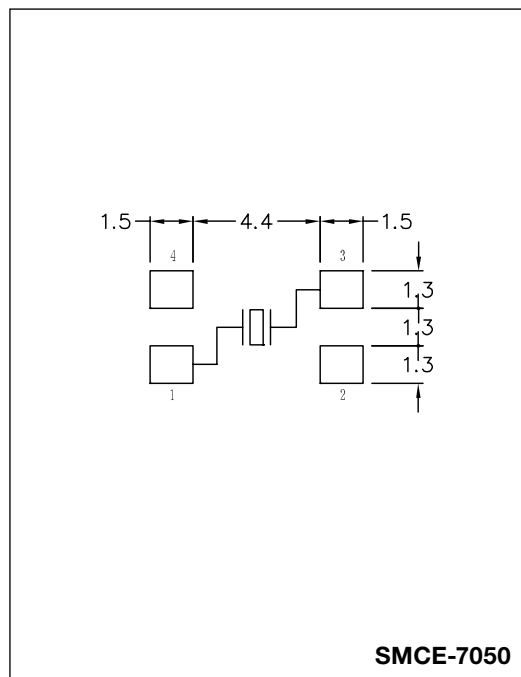
| Frequency Range | $6 < f_0 \leq 8$ | $8 < f_0 \leq 16$ | $16 < f_0 \leq 30$ | $30 < f_0 \leq 40$ (3.O.T) | $40 < f_0 \leq 125$ (3.O.T) |
|-----------------|-------------------|-------------------|--------------------|----------------------------|-----------------------------|
| ESR | 100 Ω Max. | 80 Ω Max. | 50 Ω Max. | 100 Ω Max. | 80 Ω Max. |

Please consult our sales representatives for other specifications.
如對其他規格查詢，請與我司銷售人員聯繫

DIMENSION (mm)



SOLDERING PATTERN (mm)



All specifications are subject to change without prior notice.
本公司保留修改規格的權利。



INTERQUIP ELECTRONICS CO LTD
應達利電子有限公司

Flat A, 9th Floor, On Shing Industrial Building, 2-16 Wo Liu Hang Road, Fotan, N.T., Hong Kong
Tel: +852 2413 5515 Fax: +852 2413 7053 <http://www.interquip.com>

