

### FEATURES

- Surface mount ceramic enclosures
- High reliability seam welded package
- AEC-Q200 Qualified
- Wide frequency range

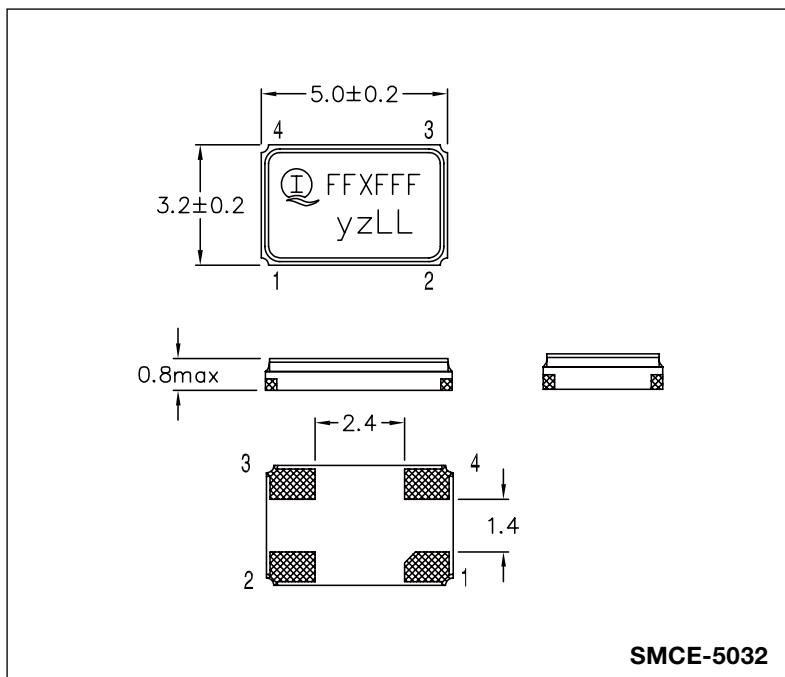


Parameters		Specifications
Nominal Frequency Range 標稱頻率範圍	$f_0$	8.0MHz ~ 50.0MHz (Fundamental) 40.0MHz ~ 80.0MHz (3.O.T)
Frequency Tolerance, Ta=25°C ± 3°C 常溫頻率偏差	$\Delta f/f$	±10ppm, ±30ppm
Load Capacitance 負載電容	$C_L$	18pF or customer specify
Frequency Tolerance over Operating Temperature Range with refer to 25°C 相對於常溫的頻率溫度特性	$\Delta f/f$	±10ppm, ±30ppm
Operating Temperature Range 工作溫度範圍	$T_{OPR}$	-20°C ~ +70°C, -40°C ~ +85°C
Storage Temperature Range 儲存溫度範圍	$T_{STG}$	-55°C ~ +125°C
Drive Level 激勵功率	DL	0.1mW (0.5mW Max.)
Shunt Capacitance 靜態電容	$C_0$	7pF Max.
Insulation Resistance 絕緣電阻	IR	500MΩ Min.
Aging 老化率	$\Delta f_A$	±3ppm/Year Max.

SERIES RESISTANCE (ESR) 串聯諧振阻抗					
Frequency Range	$8 < f_0 \leq 16$	$16 < f_0 \leq 25$	$25 < f_0 \leq 30$	$30 < f_0 \leq 50$	$40 < f_0 \leq 80$ (3.O.T)
ESR	80Ω Max.	50Ω Max.	40Ω Max.	35Ω Max.	80 ~ 100Ω Max.

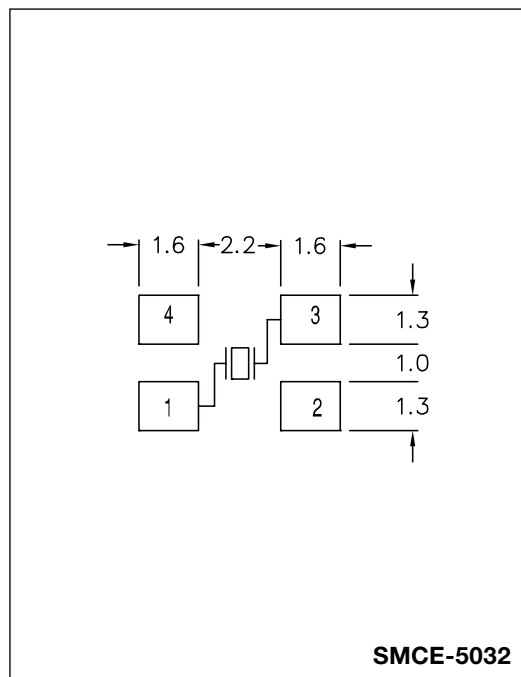
Please consult our sales representatives for other specifications.  
如對其他規格查詢，請與我司銷售人員聯繫

### DIMENSION (mm)



SMCE-5032

### SOLDERING PATTERN (mm)



SMCE-5032

All specifications are subject to change without prior notice.  
本公司保留修改規格的權利。



**INTERQUIP ELECTRONICS CO LTD**  
應達利電子有限公司

Flat A, 9th Floor, On Shing Industrial Building, 2-16 Wo Liu Hang Road, Fotan, N.T., Hong Kong  
Tel: +852 2413 5515 Fax: +852 2413 7053 <http://www.interquip.com>

