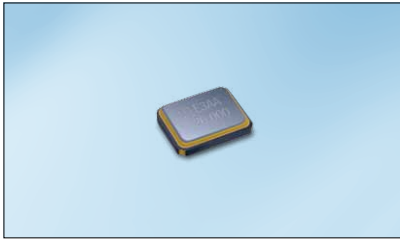


SMCE-2520

CERAMIC ENCLOSURE QUARTZ CRYSTAL RESONATORS (SMD) 表貼縫焊式陶瓷封裝石英晶體諧振器

High frequency (MHz) crystal resonators



FEATURES

- Surface mount ceramic enclosures
- High reliability seam welded package
- AEC-Q200 Qualified
- Wide frequency range

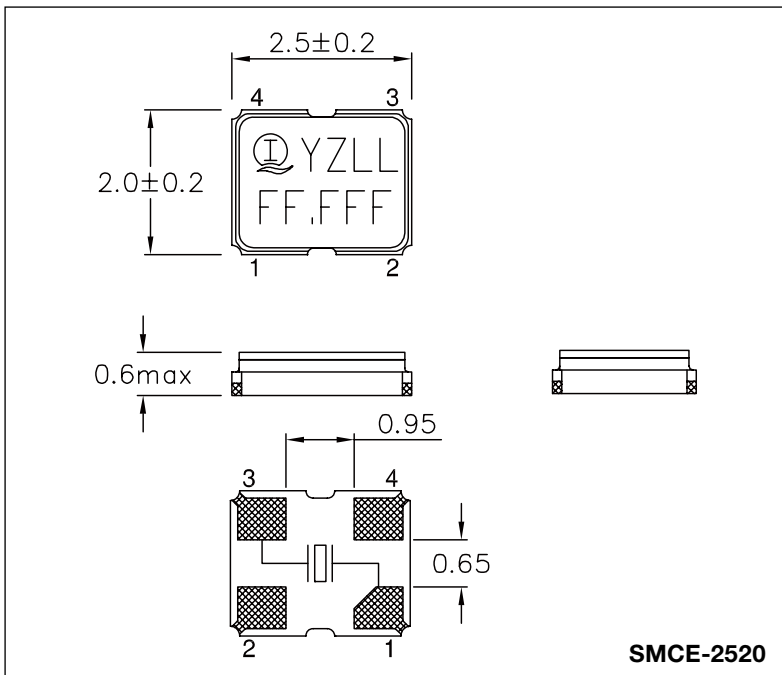


Parameters		Specifications
Nominal Frequency Range 標稱頻率範圍	f_0	16.0MHz ~ 50.0MHz (Fundamental)
Frequency Tolerance, Ta=25°C ± 3°C 常溫頻率偏差	$\Delta f/f$	±10ppm, ±30ppm
Load Capacitance 負載電容	C_L	10pF or customer specify
Frequency Tolerance over Operating Temperature Range with refer to 25°C 相對於常溫的頻率溫度特性	$\Delta f/f$	±10ppm, ±30ppm
Operating Temperature Range 工作溫度範圍	T_{OPR}	-20°C ~ +70°C, -40°C ~ +85°C
Storage Temperature Range 儲存溫度範圍	T_{STG}	-55°C ~ +125°C
Drive Level 激勵功率	DL	0.1mW (0.5mW Max.)
Shunt Capacitance 靜態電容	C_0	7pF Max.
Insulation Resistance 絕緣電阻	IR	500MΩ Min.
Aging 老化率	Δf_A	±3ppm/Year Max.

SERIES RESISTANCE (ESR) 串聯諧振阻抗			
Frequency Range	$16 < f_0 \leq 26$	$26 < f_0 \leq 35$	$35 < f_0 \leq 50$
ESR	150Ω Max.	100Ω Max.	60Ω Max.

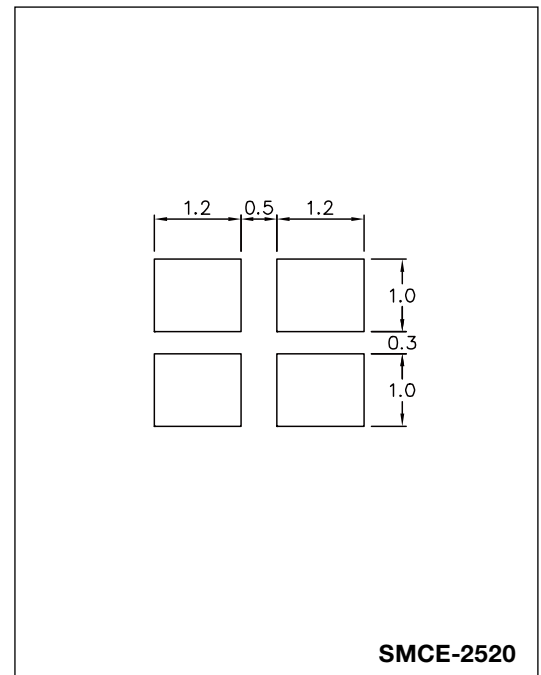
Please consult our sales representatives for other specifications.
如對其他規格查詢，請與我司銷售人員聯繫

DIMENSION (mm)



SMCE-2520

SOLDERING PATTERN (mm)



SMCE-2520

All specifications are subject to change without prior notice.
本公司保留修改規格的權利。

I INTERQUIP ELECTRONICS CO LTD
應達利電子有限公司

Flat A, 9th Floor, On Shing Industrial Building, 2-16 Wo Liu Hang Road, Fotan, N.T., Hong Kong
Tel: +852 2413 5515 Fax: +852 2413 7053 <http://www.interquip.com>

