

FEATURES

- Surface mount ceramic enclosures
- High reliability seam welded package
- Ultra-light weight and ultra-miniature size
- Suitable for automotive applications
- Wide frequency range



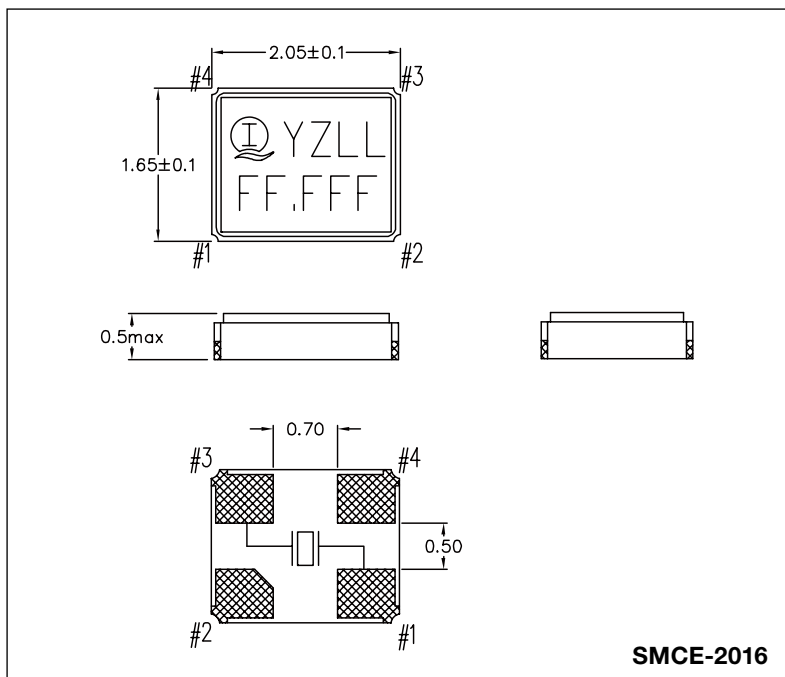
Parameters		Specifications
Nominal Frequency Range 標稱頻率範圍	f_0	24.0MHz ~ 60.0MHz (Fundamental)
Frequency Tolerance, $T_a=25^\circ\text{C} \pm 3^\circ\text{C}$ 常溫頻率偏差	$\Delta f/f$	$\pm 10\text{ppm}$, $\pm 30\text{ppm}$
Load Capacitance 負載電容	C_L	10pF or customer specify
Frequency Tolerance over Operating Temperature Range with refer to 25°C 相對於常溫的頻率溫度特性	$\Delta f/f$	$\pm 10\text{ppm}$, $\pm 30\text{ppm}$
Operating Temperature Range 工作溫度範圍	T_{OPR}	$-20^\circ\text{C} \sim +70^\circ\text{C}$, $-40^\circ\text{C} \sim +85^\circ\text{C}$
Storage Temperature Range 儲存溫度範圍	T_{STG}	$-55^\circ\text{C} \sim +125^\circ\text{C}$
Drive Level 激勵功率	DL	0.1mW (0.5mW Max.)
Shunt Capacitance 靜態電容	C_0	7pF Max.
Insulation Resistance 絕緣電阻	IR	500M Ω Min.
Aging 老化率	Δf_A	$\pm 3\text{ppm/Year Max.}$

SERIES RESISTANCE (ESR) 串聯諧振阻抗

Frequency Range	$24 < f_0 \leq 32$	$32 < f_0 \leq 48$	$48 < f_0 \leq 60$
ESR	100 Ω Max.	80 Ω Max.	60 Ω Max.

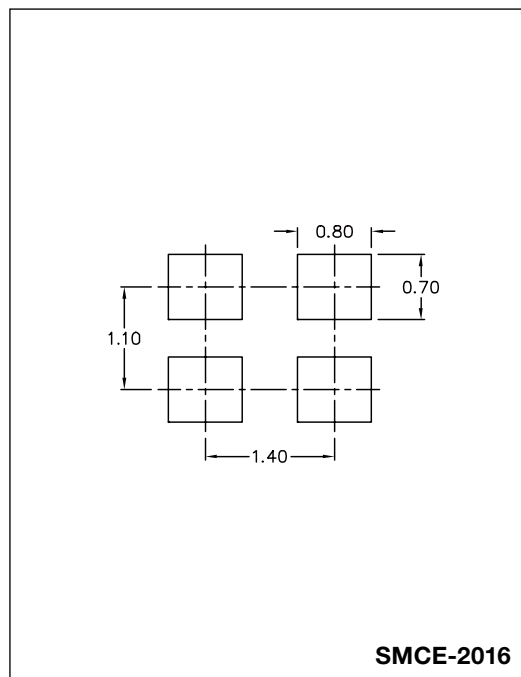
Please consult our sales representatives for other specifications.
如對其他規格查詢，請與我司銷售人員聯繫

DIMENSION (mm)



SMCE-2016

SOLDERING PATTERN (mm)



SMCE-2016

All specifications are subject to change without prior notice.
本公司保留修改規格的權利。



INTERQUIP ELECTRONICS CO LTD
應達利電子有限公司

Flat A, 9th Floor, On Shing Industrial Building, 2-16 Wo Liu Hang Road, Fotan, N.T., Hong Kong
Tel: +852 2413 5515 Fax: +852 2413 7053 <http://www.interquip.com>

