

SMHF-49N

SURFACE MOUNT QUARTZ CRYSTAL RESONATORS 表貼石英晶體諧振器

High frequency (MHz) crystal resonators



FEATURES

- AT-cut crystal performance
- High reliability
- Low cost for high performance
- Tape & Reel Packing
- AEC-Q200 Qualified



Parameters		Specifications
Nominal Frequency Range 標稱頻率範圍	f_0	3.5MHz ~ 40.0MHz (Fundamental) 30.0MHz ~ 80.0MHz (3rd Overtone)
Frequency Tolerance, Ta=25°C ± 3°C 常溫頻率偏差	$\Delta f/f$	±10ppm, ±30ppm
Load Capacitance 負載電容	C_L	18pF or customer specify
Frequency Tolerance over Operating Temperature Range with refer to 25°C 相對於常溫的頻率溫度特性	$\Delta f/f$	±10ppm, ±30ppm
Operating Temperature Range 工作溫度範圍	T_{OPR}	-20°C ~ +70°C, -40°C ~ +85°C
Storage Temperature Range 儲存溫度範圍	T_{STG}	-55°C to 125°C
Drive Level 激勵功率	DL	0.1mW (1mW Max.)
Shunt Capacitance 靜態電容	C_0	7pF Max.
Insulation Resistance 絕緣電阻	IR	500MΩ Min.
Aging 老化率	Δf_A	±5ppm/Year Max.

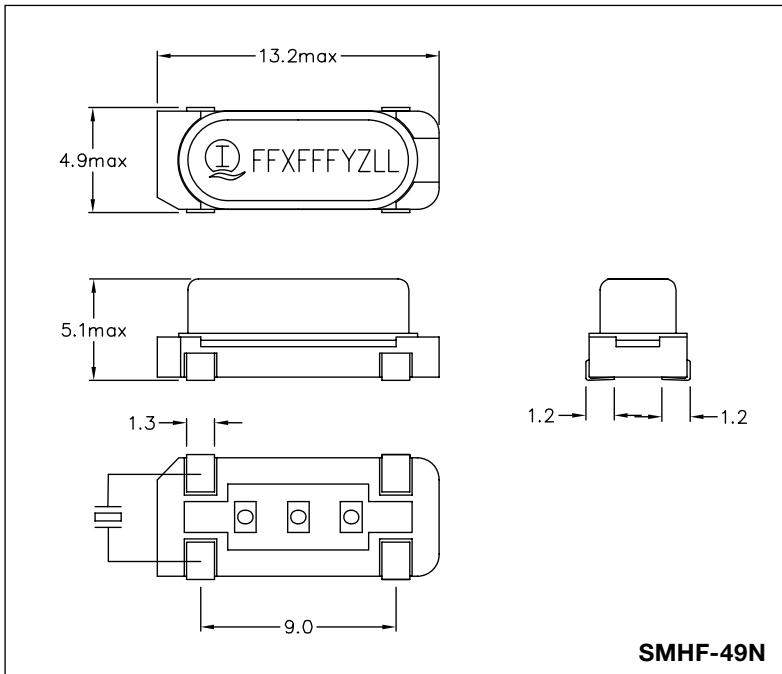
SERIES RESISTANCE (ESR) 串聯諧振阻抗

Frequency Range	$3.5 < f_0 \leq 4.5$	$4.5 < f_0 \leq 6$	$6 < f_0 \leq 8$	$8 < f_0 \leq 12$	$12 < f_0 \leq 15$	$15 < f_0 \leq 18$
ESR	120Ω Max.	90Ω Max.	70Ω Max.	60Ω Max.	40Ω Max.	30Ω Max.

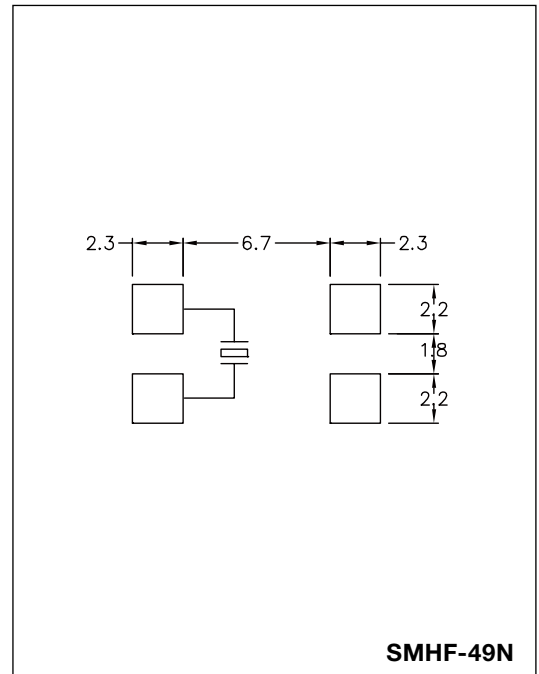
Frequency Range	$18 < f_0 \leq 33$	$30 < f_0 \leq 35$ (3.O.T)	$35 < f_0 \leq 40$ (3.O.T)	$40 < f_0 \leq 80$ (3.O.T)
ESR	25Ω Max.	100Ω Max.	80Ω Max.	70Ω Max.

Please consult our sales representatives for other specifications.
如對其他規格查詢，請與我司銷售人員聯繫

DIMENSION (mm)



SOLDERING PATTERN (mm)



All specifications are subject to change without prior notice.
本公司保留修改規格的權利。

I INTERQUIP ELECTRONICS CO LTD
應達利電子有限公司

Flat A, 9th Floor, On Shing Industrial Building, 2-16 Wo Liu Hang Road, Fotan, N.T., Hong Kong
Tel: +852 2413 5515 Fax: +852 2413 7053 <http://www.interquip.com>

