

FEATURES

- AT-cut crystal performance
- Ideal for Microprocessor Applications

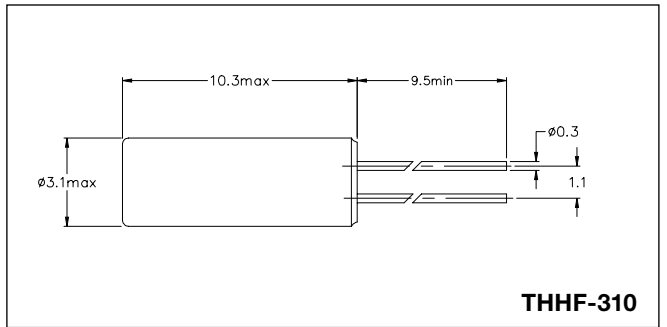
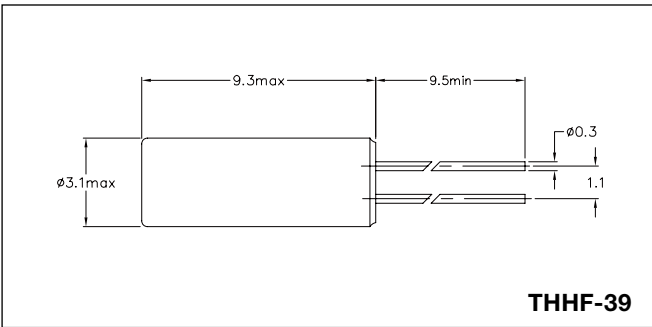
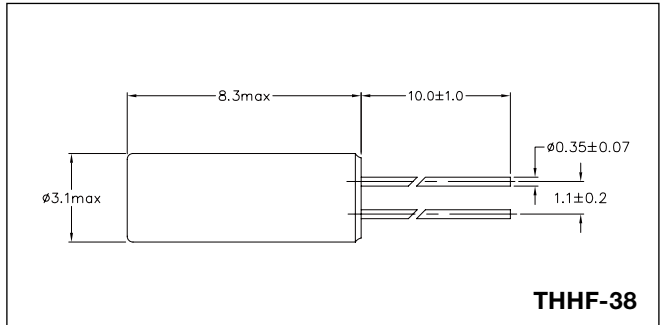
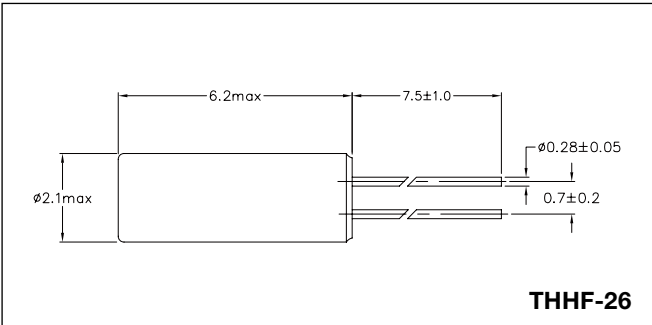


Parameters		THHF-26	THHF-38	THHF-39	THHF-310
Nominal Frequency Range 標稱頻率範圍	f_0	6.0 ~ 48.0MHz	6.0 ~ 48.0MHz	4.0 ~ 6.0MHz	3.579 ~ 4.0MHz
Frequency Tolerance, Ta=25°C ± 3°C 常溫頻率偏差	$\Delta f/f$	±10ppm, ±30ppm			
Load Capacitance 負載電容	C_L	18pF or customer specify			
Frequency Tolerance over Operating Temperature Range with refer to 25°C 相對於常溫的頻率溫度特性	$\Delta f/f$	±10ppm, ±30ppm			
Operating Temperature Range 工作溫度範圍	T_{OPR}	-20°C ~ +70°C, -40°C ~ +85°C			
Storage Temperature Range 儲存溫度範圍	T_{STG}	-55°C to 125°C			
Drive Level 激勵功率	DL	0.1mW (1mW Max.)			
Shunt Capacitance 靜態電容	C_0	7pF Max.			
Insulation Resistance 絕緣電阻	IR	500MΩ Min.			
Aging 老化率	Δf_A	±5ppm/Year Max.			

SERIES RESISTANCE (ESR) 串聯諧振阻抗					
Frequency Range	$3.579 < f_0 \leq 6$	$6 < f_0 \leq 12$	$12 < f_0 \leq 20$	$20 < f_0 \leq 36$	$36 < f_0 \leq 48$ (3rd overtone)
ESR	150Ω Max.	100Ω Max.	70Ω Max.	50Ω Max.	80Ω Max.

Please consult our sales representatives for other specifications.
如對其他規格查詢，請與我司銷售人員聯繫

DIMENSION (mm)



All specifications are subject to change without prior notice.
本公司保留修改規格的權利。

