

FEATURES

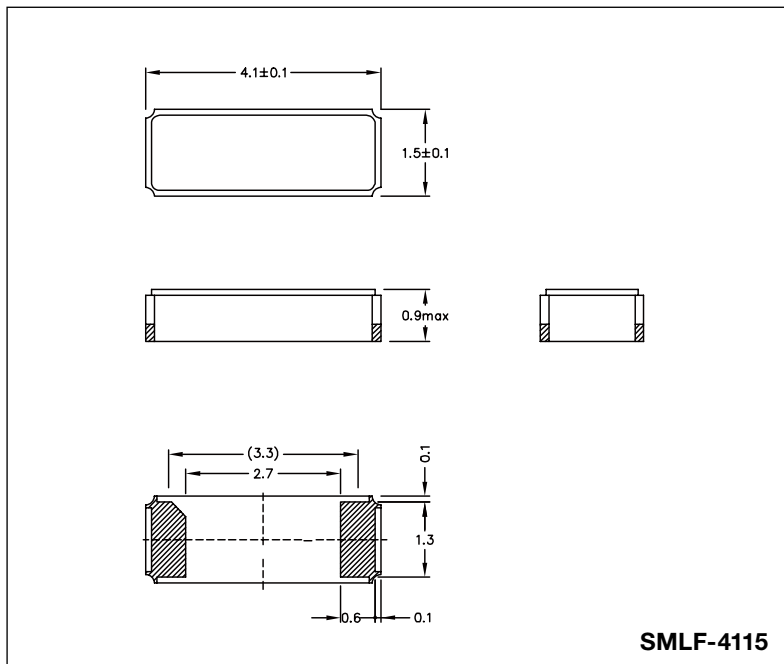
- Surface Mount with Ceramic Package
- Reflow solderable



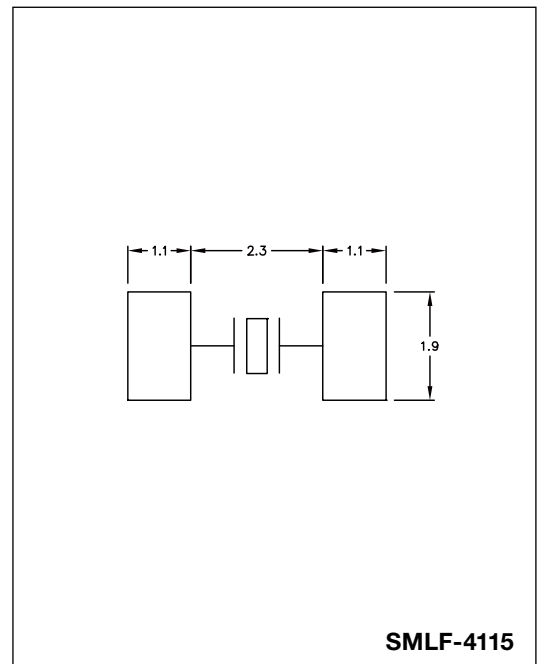
Parameters		Specifications
Nominal Frequency 標稱頻率	f_0	32.768KHz
Frequency Tolerance, $T_a=25^\circ\text{C} \pm 3^\circ\text{C}$ 常溫頻率偏差	$\Delta f/f$	$\pm 20\text{ppm}$
Load Capacitance 負載電容	C_L	12.5pF or customer specify
Temperature Coefficient 溫度系數	$\Delta f/f$	$-0.034 \pm 0.006 \text{ppm}/^\circ\text{C}^2$
Operating Temperature Range 工作溫度範圍	T_{OPR}	$-20^\circ\text{C} \sim +70^\circ\text{C}, -40^\circ\text{C} \sim +85^\circ\text{C}$
Storage Temperature Range 儲存溫度範圍	T_{STG}	$-55^\circ\text{C} \sim +125^\circ\text{C}$
Drive Level 激勵功率	DL	1 μW Max.
Series Resistance (ESR) 串聯諧振阻抗	R_1	70K Ω Max.
Insulation Resistance 絕緣阻抗	IR	500M Ω Min.
Aging 老化率	Δf_A	$\pm 5\text{ppm}/\text{Year}$ Max.

Please consult our sales representatives for other specifications.
如對其他規格查詢，請與我司銷售人員聯繫

DIMENSION (mm)



SOLDERING PATTERN (mm)



All specifications are subject to change without prior notice.
本公司保留修改規格的權利。



INTERQUIP ELECTRONICS CO LTD
應達利電子有限公司

Flat A, 9th Floor, On Shing Industrial Building, 2-16 Wo Liu Hang Road, Fotan, N.T., Hong Kong
Tel: +852 2413 5515 Fax: +852 2413 7053 <http://www.interquip.com>

